

Original Tray Type G
(B341)

Original Tray Type G (B341)

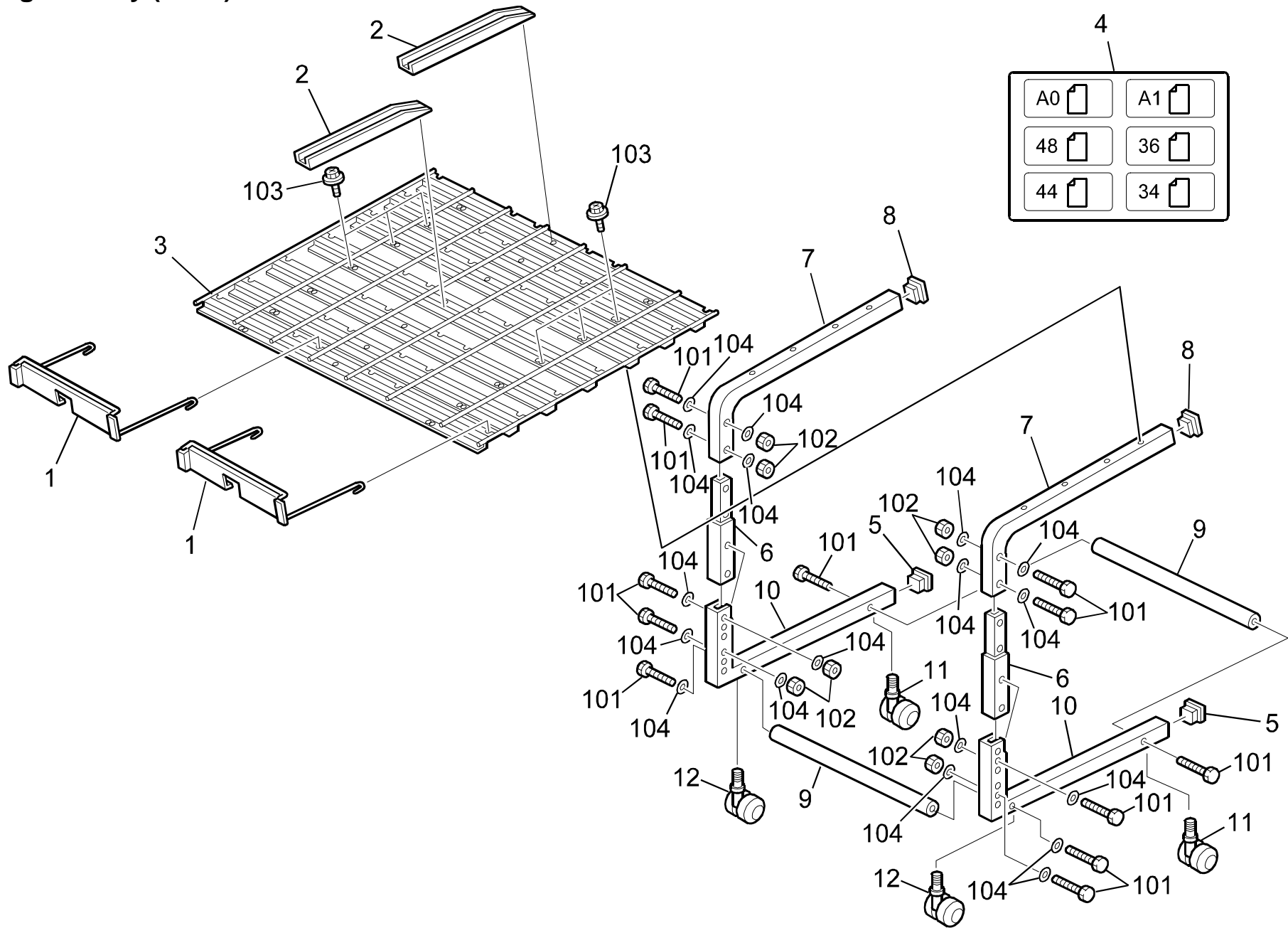
PARTS CATALOG

This catalog gives the numbers and names of parts on this machine.

1.Original Tray (B341)	2
Parts index	5

April ,6 ' 2005

1.Original Tray (B341)



1.Original Tray (B341)

Index No.	Part No.	Description	Q'ty Per Assembly
1	B341 1342	Original Stopper	2
2	B341 1340	Original Guide	2
3	B341 1376	Original Tray	1
4	B341 1350	Decal - Size Sheet	1
5	B341 1346	Cap - 31mm	1
6	B341 1339	Middle Frame	2
7	B341 1377	Original Tray Stay	2
8	B341 1345	Cap - 25mm	2
9	B341 1316	Base Stay	2
10	B341 1314	Base Frame	2
11	B341 1317	Caster - Lock	2
12	B341 1315	Caster - 40mm	2

Index No.	Part No.	Description	Q'ty Per Assembly
101	0588 0400Z	Hexagonal Bolt - M8x40	
102	0710 0080Z	Hex Nut 8	
103	0451 4008N	Tapping Screw - 4x8	
104	0708 0080Z	Washer - 8mm	

Parts Index

Parts Index

Part No.	Description	Page and Index No.
B341 1314	Base Frame	3- 10
B341 1315	Caster - 40mm	3- 12
B341 1316	Base Stay	3- 9
B341 1317	Caster - Lock	3- 11
B341 1339	Middle Frame	3- 6
B341 1340	Original Guide	3- 2
B341 1342	Original Stopper	3- 1
B341 1345	Cap - 25mm	3- 8
B341 1346	Cap - 31mm	3- 5
B341 1350	Decal - Size Sheet	3- 4
B341 1376	Original Tray	3- 3
B341 1377	Original Tray Stay	3- 7

Part No.	Description	Page and Index No.
0451 4008N	Tapping Screw - 4x8	3-103
0588 0400Z	Hexagonal Bolt - M8x40	3-101
0708 0080Z	Washer - 8mm	3-104
0710 0080Z	Hex Nut 8	3-102